



WS No. 19 Mark III

**This file has been down loaded from
The Wireless-Set-No19 WEB site.**

**All files from this WEB site are free of charge.
If you have been charged for this file then please
contact the person you obtained it from as he/she
has illegally obtained both the file and money they have
charged you.....**

F.5.

Crown Copyright Reserved.

P.W.—F.5.

Post Office Engineering Department

TECHNICAL PAMPHLETS FOR WORKMEN

Subject :

Private Branch Exchange, C.B. Multiple No. 9.

ENGINEER-IN-CHIEF'S OFFICE,
1919.

(Reprinted April, 1928, including correction slips to date).

("	January, 1930,	"	"	"	")
("	November, 1931,	"	"	"	")
("	October, 1932	"	"	"	")

LONDON

PRINTED AND PUBLISHED BY HIS MAJESTY'S STATIONERY OFFICE

To be purchased directly from H.M. STATIONERY OFFICE at the following addresses
 Adastral House, Kingsway, London, W.C.2; 120, George Street, Edinburgh 2
 York Street, Manchester; 1, St. Andrew's Crescent, Cardiff
 15, Donegall Square West, Belfast
 or through any Bookseller

1933.

Price 6d. Net

43-9999

==== LIST OF ====

Technical Pamphlets for Workmen

=====

GROUP A.

1. Magnetism and Electricity.
2. Primary Batteries.
3. Technical Terms.
4. Test Boards.
5. Protective Fittings.
6. Measuring and Testing Instruments.
7. Sensitivity of Apparatus.
8. Terms and Definitions used in Telegraphy and Telephony.

GROUP B.

1. Elementary Principles of Telegraphy and Systems up to Morse Duplex.
2. Telegraph Concentrators.
3. Wheatstone. Morse Keyboard Perforators.
4. Quadruplex. Telegraph Repeaters, Sx., Dx., and Quad.
5. Hughes Type-printing Telegraph.
6. Baudot Multiplex.
7. Western Electric Multiplex. Murray Multiplex. Other Systems.
8. Fire Alarm Systems.

GROUP C.

1. Wireless Transmission and Reception.
2. Interference with Reception of Broadcasting.

GROUP D.

1. Elementary Principles of Telephony.
2. Telephone Transmission. "Loading." Telephone Repeaters and Thermionic Valves.
3. Principles of Telephone Exchange Signalling.
4. Magneto Exchanges—Non-Multiple Type.
5. Magneto Exchanges—Multiple Type.
6. C.B.S. No. 1 Exchanges—Non-Multiple Type.
7. C.B.S. Exchanges—Multiple Type.
8. C.B. Exchanges—No. 9 Type.
9. C.B. Exchanges—No. 10 Type.
10. C.B. Exchanges—No. 12 Type.
11. C.B. Exchanges—22 Volts.
12. C.B. Exchanges—40 Volts.
13. Trunk Telephone Exchanges.
14. Telephone Exchange Maintenance.
15. Telephone Testing Equipment.
16. Routine Testing for Manual Telephone Exchanges.
17. Internal Cabling and Wiring.
18. Distribution Cases, M.D.F. and I.D.F.
19. Cord Repairs.
20. Superposed Circuits, Transformers, etc.
21. Call Offices.

[Continued on page iii of Cover.]

PRIVATE BRANCH EXCHANGE.

C.B. MULTIPLE No. 9.

(F. 5).

*The following pamphlets in this series are of
kindred interest :*

- D. 1. Elementary Principles of Telephony.
- D. 2. Telephone Transmission.
- D. 3. Principles of Telephone Exchange Signalling.
- D. 8. C.B. Exchanges. No. 9 Type.
- D. 9. C.B. Exchanges. No. 10 Type.
- D.10. C.B. Exchanges. No. 12 Type.
- D.11. C.B. Exchanges. 22 Volts.
- D.12. C.B. Exchanges. 40 Volts.
- D.14. Telephone Exchange Maintenance.
- D.15. Telephone Testing Equipment.
- D.16. Routine Testing for Telephone Exchanges.
- D.17. Internal Cabling and Wiring.
- D.18. Distribution Cases, M.D.F. and I.D.F.
- D.19. Cord Repairs.
- F. 1. Subscribers' Apparatus C.B.
- F. 8. Wiring of Subscribers' Premises.
- G. 1. Secondary Cells, Maintenance of.
- G. 2. Power Plant for Telegraph and Telephone Purposes
- G. 3. Maintenance of Power Plant for Telegraph and
Telephone Purposes.

PRIVATE BRANCH EXCHANGE.

C.B. MULTIPLE No. 9.

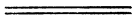


TABLE OF CONTENTS

	PAGE
DESCRIPTION AND LAY-OUT OF PLANT...	3
CORD CIRCUIT	4
EXTENSION LINE CIRCUIT	7
EXCHANGE LINE CIRCUIT	8
SHORT PRIVATE WIRE OR TIE LINE	8
LONG PRIVATE WIRE OR TIE LINE	9
PRIVATE LINE	10
TIE LINES	11
OPERATOR'S TELEPHONE CIRCUIT	11
RINGING DISTRIBUTION	12
POWER DISTRIBUTION	13
LONG EXTENSION EQUIPMENT	14

PRIVATE BRANCH EXCHANGE. C.B. MULTIPLE No. 9.

DESCRIPTION AND LAY-OUT OF PLANT.

This type of switchboard is designed for use at large private branch exchanges. The main advantages of C.B. working are obtained with a maximum of simplicity. The boards are made in one position sections, and lined up to form a continuous switchboard and multiple field. A cable turning section is fitted at the commencement of the line of boards, and at the end section an end panel usually suffices. If the number of sections renders it necessary owing to the quantity of cables, a cable turning section may also be used at the last section.

In the multiple, two panels per section are provided. There are no local jacks as usually understood, all calls being answered from the multiple. No I.D.F. is provided, and it is necessary, therefore, to arrange the calling signals initially in a suitable manner for the traffic needs. The calling signals are fitted above the jack multiple, the usual arrangement of the switchboard face equipment being as follows:—

Lowest in the Jack Panels are the extension line jacks in strips of 20, multiplied every fourth panel. Above these are the exchange line jacks in strips of 10, multiplied similarly. Fitted above the jacks are the extension calling signals (eye-balls) in strips of 20. Finally, above these, are the exchange line calling indicators (self-restoring) in strips of 10.

The calling equipment is usually arranged so that jack multiples occur on the same section as the calling signals. Cables are run from the main frame to the first multiple jacks, thence jack to jack, and are terminated on tags at the rear of the last or last two sections. The calling equipments are cabled to tags on their respective sections. The tags are connected together by cable according to the traffic requirements, in blocks of strips of calling signals. Individual line jumpering is not provided for owing to no separate answering jacks being fitted. For tie lines and private wires exchange line jacks and calling equipments are generally utilised. On the keyboard, capacity exists for 17 sets of cord circuits. Equipment for 12 is usually provided with speaking and ringing keys and ringback keys, 3-way plugs being used. Fitted one per position are also

position switching keys and generator switching keys. Provision is made on the keyboard for 2 supervisory signals per cord circuit. The cord circuit relays, retardation coils, condensers, etc., are fitted in the rear of the sections. Extra equipment for long lines, tie lines, private wires, etc., if necessary, is fitted on a separate relay rack. Main frame provision is made as required, one or more frames being fitted.

CORD CIRCUIT.

A skeleton cord circuit is shown in Fig. 1. The retardation coil D is employed to supply current to both plugs for speaking purposes. The circuit as shown is used for extension to extension connections. When an Exchange connection is involved the battery is substituted by a bridging coil of 200ω resistance. The speaking current is then supplied over the exchange line from the main exchange operator's cord circuit.

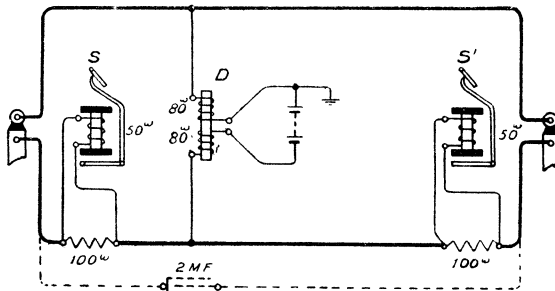


Fig. 1.

Diagram N.941 in the Loose Leaf series shows the full theoretical cord circuit. The requirements catered for are:—

- (a) Supply of speaking current for extension to extension connections.
- (b) Disconnecting cord circuit battery when exchange connection is involved.
- (c) Clearing signals for supervision.
- (d) Restoring the line calling signal on operator answering call.
- (e) Provision of engaged test on lines connected.
- (f) Ringing for both plugs and operator "listening in."

The action of the circuit is as follows:—

- (a) It will be seen from diagram N.941 that when the sleeve relay is not actuated, battery is connected to the cord circuit *via*

windings of the retardation coil and tongues and outers of the sleeve relay. This is the extension to extension condition. The energising of the sleeve relay depends upon a circuit obtaining *via* the line jack bush. On an extension line the jack bush is not connected to earth in any way (*see* Loose Leaf Diagram N.943).

(b) Referring to Loose Leaf Diagram N.942 it will be seen that when a plug is inserted, the exchange line jack bush is connected to earth *via* the restoring coil of the exchange line indicator. In this case the cord circuit sleeve relay is energised, *viz.*, from negative, *winding of relay*, plug sleeve, jack bush, 100 ω restoring coil of Exchange line indicator, to earth. The relay operates, thereby connecting its moving springs to the 200 ω bridging coil. These springs of the relay are connected to tip and ring of both plugs *via* the double wound retardation coil. The condition will now be that, across the cord circuit is the retardation coil with the 200 ω bridging coil in its centre as shown in Fig 2.

(c) The supervisory signals are marked S and S¹. Each is of 50 ω resistance, bridged by a non-inductive resistance of 100 ω for transmission purposes. In later supplies of these switchboards a condenser is connected, as shown by the dotted lines across the supervisory signals the coils of which are then wound to 33 ohms, and the non-inductive shunts are omitted. For extension to extension connections the cord circuit relay, as already mentioned, is not actuated. Considering Signal S for such a connection it will

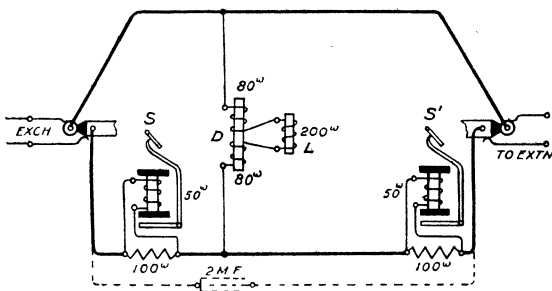


Fig. 2.

be seen that it will be actuated if a circuit is closed *via* the plug tip and ring. This condition would obtain during a connection (with extension receiver lifted), *viz.*, from negative, outer and moving spring of sleeve relay, one winding of retardation coil, S Signal, ringback key, plug ring, extension telephone, plug tip, ringback key, second winding of retardation coil, the other moving

and outer spring of the sleeve relay, positive. The signal is, therefore, controlled by the extension telephone. The operation of supervisory signal S^1 is similar.

Whereas for extension to extension working, separate supervision for each plug is given, it is quite different when an exchange connection is involved. For this condition a clearing signal is only available on the cord connected to the extension. As already described, the cord circuit relay operates for an exchange connection. The supervisory circuit is then as Fig. 2.

The current is now obtained from the main exchange, and S^1 (Fig. 2.) will be controlled by the extension, but S will be actuated until the plug is withdrawn. This is due to the fact that current is always on the exchange lines, i.e., either from the main exchange cord circuit or calling equipment.

These supervisory signals are in effect negative signals. When actuated, the armature raises a disc, which thereby becomes visible to the operator. When an extension "hangs up," the disc falls back. This effect is the reverse of that given by, say, a C.B. exchange with lamp supervision, where the lamp dims during connection and glows on subscriber replacing receiver.

(d) The insertion of an answering plug into an exchange line jack will restore the shutter or flap of the calling indicator. The restoring of the exchange line calling indicator is effected by the negative battery connected to the plug sleeve, obtaining a circuit to earth *via* the restoring winding of the indicator. The precise action is given under the description of the exchange line circuit. In the case of an extension line the insertion of an answering plug will disconnect the eyeball circuit by the breaking of the contacts between the inner and outer jack springs. (see Loose Leaf Diagrams N.942 and N.943).

(e) Line jacks are "engaged" by connection of negative to the jack bushes. This is effected on a plug being inserted, as described later under "Extension line circuit."

The circuit conditions when the operator taps or tests a multiple jack, are explained in the description of the operator's telephone circuit.

(f) It will be seen from the diagram that the actuation of the ringing key or the ringback key will connect generator to the calling or answering plug respectively. The actuating of the speaking key will "bridge in" the operator's telephone.

Modifications for working to Automatic Exchanges.—

When the switchboards are required to work to automatic exchanges, it will be necessary to modify the cord circuits by

replacing the existing ring-back key with a combined ring-back-and-dialling key, and also to fit the dial as shown in Loose Leaf Diagram No. N.1057. To dial a number, the dial-and-ring-back key is thrown to the dialling position, the exchange line being held *viâ* the impulsing springs in the dial. On the completion of the dialling, the key is restored to its normal position. The key springs are so arranged that the operation of the key does not give a momentary clear to the exchange.

A dial is fitted on each extension requiring direct night service to the main exchange, and if auxiliary equipment is fitted on such extensions, a break jack for use on night connections is inserted in the line.

Night Extension Arrangements.—Loose Leaf Diagram N.941. Night extension keys are shown at the bottom of the diagram. When the switchboard is left without operators at night, etc., it is usually arranged that some or all of the exchange lines are connected to certain extensions for night working. Certain cord circuits are selected for this purpose. The straps are cut away from the tags shown (adjacent to the night extension keys) and the tags are wired to night extension keys in the manner illustrated in the diagram. The night extension keys are usually fitted on the Cable Turning section. It will be seen that when the key is operated, the sleeve relay circuit is broken. The circuit from the two windings of the retardation coil is also broken at the key. The cord circuit is therefore a simple loop with the two supervisory signals in series, and an extension connected through to the exchange is, for all practical purposes, a direct exchange line. In the "day" position of the night switching keys (all contacts made) the cord circuit is normal.

EXTENSION LINE CIRCUIT.

Loose Leaf Diagram N.948 shows the circuit connections of an Extension Line Circuit. The calling signal is of the eyeball type. On the extension receiver being lifted, the calling signal is actuated *viâ* negative of battery, eyeball winding, jack springs, B line, extension telephone, A line, jack springs, earth. On the operator answering, the eyeball circuit is broken by the answering plug breaking the contacts between the inner and outer jack springs. The engagement of the line multiple is effected on the insertion of a plug into a jack. The jacks are of the 7-point type with an auxiliary spring and contact, the latter being common to a strip of jacks. All auxiliary springs for one extension are in parallel and normally rest on, and are in contact with, their jack bushes. Negative is connected to the contact. With a plug in a jack the auxiliary spring of that jack is pressed against the contact, thereby

connecting negative to the rest of the springs of the extension multiple, and thence to the jack bushes. A 200^Ω resistance spool (one per group of 20 lines) is shown in the circuit of the engaged test battery. This resistance prevents excessive current passing, and reduces the voltage sufficiently to provide a reasonable "click" in the receiver when the operator is tapping the line.

EXCHANGE LINE CIRCUIT.

Loose Leaf Diagram N.942 shows the circuit connections. The calling signal is of the drop indicator type, responsive to generator ringing current. In addition to its 1,000^Ω coil it possesses a restoring coil of 100^Ω, the function of which is automatically to restore the indicator flap on a plug being inserted in the jack. The extra contacts on the jack are used for this purpose. To call the Private Branch Exchange the main exchange operator applies "generator" current to the line. The calling indicator is actuated *viz.*, *A* line, jack springs, 1,000^Ω winding of indicator, condenser, thence *via* the jack to *B* line. The indicator flap being released, falls forward and presses the light outer shutter upward.

The insertion of a plug into a jack closes the auxiliary contacts, thereby energising the restoring coil, thus restoring the indicator flap and shutter. The restoring circuit is as follows. Negative (from plug sleeve, Diagram N.941), jack bush, contact, 100^Ω winding of indicator, earth. The 1,000^Ω coil of the indicator is disconnected on the breaking of the inner spring contacts of the jack. The main exchange is called by the insertion of a plug into a jack. Being a C.B. main exchange its line calling signal is actuated by a loop. The loop is given from the Private Branch Exchange cord circuit (*see* Fig. 2).

The engaged test circuit is similar to that of an extension line and is described under that heading.

The 2 m.f. condenser is necessary, to prevent the operation of the line relay at the main exchange, through the 1,000^Ω indicator coil.

SHORT PRIVATE WIRE OR TIE LINE.

The circuit generally used for this is shown in Loose Leaf Diagrams N.948, Sheet 1 (Wiring), and N.949 (Explanatory). The operation of this circuit is best explained by tracing in detail the operation of an incoming call. The calling signal is given by generator ringing *via* line, jumper, top springs of 160^Ω relay, jumper, 2 m.f. condenser, 1,000^Ω indicator coil, jumper, bottom springs of 160^Ω relay, jumper and line. The answering of the call by the insertion of a plug connects battery *via* sleeve relay in the cord circuit to the bush of the multiple jack; current flows thence *via*

top auxiliary jack springs, jumper, tongue and back contact of 30^w relay (No. 32c) and coil of $1,000^w + 1,000^w$ relay to earth. This relay ($2,000^w$) is operated but owing to its high resistance the cord circuit sleeve relay (160^w) is not. The circuit for the restoration of the indicator is completed from battery *via* the coil of 160^w relay, contacts of $1,000^w + 1,000^w$ relay, jumper, and 100^w indicator coil to earth. The 160^w relay is operated and disconnects the lines from the indicator circuit and connects them to the multiple.

The plug having been inserted in the jack and the 160^w relay operated current flows from battery *via* 80^w retard (*see* cord circuit diagram N.941), 33^w supervisory signal, ring of plug, long spring of jack, jumper, coil of $30^w + 70^w$ relay, bottom springs of 160^w relay to line, and from line *via* top springs of 160^w relay, jumper, short spring of multiple jack, tip of plug and 80^w retard to earth. Until the clear is given from the distant end the supervisory signal and the $30^w + 70^w$ relay are thus retained in the operated position.

The effective connection between the private wire or tie line and the public exchange is prevented in the following manner. Assume the second plug of a pair to be inserted into an exchange line jack when the first plug is connected to a private wire or tie line with the circuit in the foregoing condition. Current will flow from battery *via* coil of 30^w relay (No. 32c), contact and tongue of $80^w + 70^w$ relay, jumper, auxiliary spring and bush of P.W. jack, sleeve of one cord, sleeve of other cord, bush of exchange line jack (N.942) to earth *via* 100^w coil of exchange line indicator. In the private wire or tie line circuit the 30^w relay (No. 32c), will be actuated and will retain *via* its own tongue and contact independently of any subsequent release of the $30^w + 70^w$ relay; at the same time it will disconnect the $1,000^w + 1,000^w$ relay which will be released and will in turn disconnect and release the 160^w relay. The release of the 160^w relay will disconnect the lines from the talking circuit and transfer them to the calling circuit thus rendering impossible any conversion over the connection.

LONG PRIVATE WIRE OR TIE LINE.

The standard circuit for this is shown in Loose Leaf Diagrams N.948, Sheet 2 (Wiring), and N.949 (Explanatory). Again considering the operation of an incoming call, the operation of the calling signal, its restoration and the transfer of the lines from the calling circuit are the same as on short lines.

The talking condition is as follows. The plug having been inserted into the jack and the 160^w relay operated, current flows from battery *via* 50^w retard, coil 8-7 of repeater, bottom spring and contact of 160^w relay and jumper to line, from line *via* top spring

of 160° relay, coil 4-8 of repeater and 50° relay to earth. Until the clear is given from the distant end the 50° relay is retained in the operated position; this relay connects the 30° relay (No. 39A) across terminals 1 and 6 of the repeater and provides a path for the operation of the supervisory signal in the cord circuit by current from battery *via* 80° retard (N.941), 33° supervisory signal, ring of plug long spring of jack, jumper, coil 5-6 of repeater 30°, relay (No. 39A), contacts of 50° relay, coil 1-2 of repeater, jumper, short spring of jack, tip of plug and 80° retard to earth. The supervisory signal and 30° relay (No. 39A) are thus controlled by the condition at the distant end of the line.

Effective connection between long private wires or tie lines and the public exchange is in a similar manner to that on short lines, the 30° relay (No. 39A) in the former case performing the same functions as the 30° + 70° relay in the latter.

PRIVATE LINE (*Exchange connection prohibited*).

Loose Leaf Diagram N.944 shows a circuit that has been used in certain cases. The calling signal and engaged circuits are similar to those of the extension lines. The circuit is further arranged, however, to render effective connection to the exchange lines impossible whilst allowing connections between private lines and extensions. For this, the 30° relay and the extra jack contacts are necessary. Should the operator connect a private line to an exchange line the 30° relay is energised, *viz.*, negative battery *relay winding*, extra contacts to jack bush (contacts make with plug in jack), thence *via* plug sleeves (*see* Loose Leaf Diagram N.941) to exchange line jack bush, exchange line indicator, restoring coil, to earth.

Fig. 3 illustrates this condition.

Relay P, when energised, disconnects the private line entirely, thus making an effective connection between the private line and the exchange lines impossible.

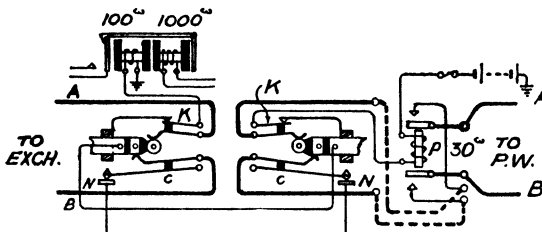


Fig. 3.

The connection of a private line to an extension is permitted by this circuit. Relay P will actuate only if a circuit to earth is obtained *viâ* the plug sleeves, and it will be seen from Loose Leaf Diagram N.946 that no path to earth exists on an extension jack bush.

TIE LINES.

Tie Lines are lines between two Private Branch Exchanges. Loose Leaf Diagram N.945 shows an arrangement that has been used in some cases. Provision is made in this case for calling by generator and prohibition against an exchange connection. The circuit action is as follows:—

On the distant operator "ringing," generator current is received which actuates the calling indicator. The circuit is *viâ* the line to repeating coil winding; a current is induced in the second repeating coil winding (the condenser shunts the 60° relay for alternating currents), which passes *viâ* 30° relay contacts to jacks and indicator. On the operator plugging in, the 60° relay is energised from the cord circuit battery (Fig. 1) *viâ* contacts of 30° relay, winding of repeating coil, and 60° relay. The contacts of the latter close, completing a circuit for the restoring winding of the calling indicator, *viz.*, negative battery 150° resistance, contacts of 60° relay, *restoring winding* of indicator to earth. The cord circuit is now through to the tie line with the repeating coil interposed, the 30° relay not being actuated. The condenser shunts the 60° relay winding for speech currents. The 30° relay will actuate and disconnect the tie line if a connection is made to an exchange line. This action has already been described for Diagram N.944. The 150° resistance coil limits the current in the restoring circuit, thereby ensuring the action of the 30° relay. The engagement of the line is similar to that of an exchange line. The additional equipment is usually fitted on a separate relay rack and jumpered in the manner shown.

OPERATOR'S TELEPHONE CIRCUIT.

Loose Leaf Diagram N.947 shows the details of this circuit. Connection to the battery bus bars is made for the transmitter circuit through a retardation coil of 165° with a condenser connected as shown. The retardation coil suitably reduces the current for the transmitter. The impedance of the retardation coil will prevent high frequency current variations from traversing its winding, incidentally thus preventing overhearing from other circuits *viâ* the battery bus bars. The condenser completes a local circuit, *i.e.*, transmitter, primary windings of induction coil and condenser, for the high frequency currents due to speech. The combination of the condenser and retardation coil, therefore, is to give, in some measure, the effect of a separate battery for each operator's transmitter. The two primary windings of the induction coil, each of 18°,

are joined up in parallel; the induction coil has also two secondary windings, each of 130^{ω} . A non-inductive coil of 360^{ω} is also in the circuit, the receiver being connected as shown in the diagram. The object of the 360^{ω} coil arranged in the circuit in this manner is to eliminate, or at least to minimise, "side tone." "Side tone" is the reproduction of the operator's own voice in the receiver, which would occur were the receiver merely in series or parallel with a secondary winding. The receiver, as arranged in the diagram, is in a position in the circuit equivalent to that of a galvanometer in a Wheatstone bridge, the exchange or extension line and telephone resistance (averaged at 360^{ω}) forming one arm. (Fig. 4 shows the effect, which is similar to a balanced Wheatstone bridge, the receiver being approximately balanced against currents induced in the secondary windings). The condenser in the secondary circuit prevents direct current passing from the cord circuit through the operator's receiver. The switching key is used to allow an operator to take adjoining positions during slack periods. The actuation of the key throws the position speaking key leads to the operator's set on the previous position.

Engaged test.—Fig. 5 shows the circuit when the operator is tapping a jack for the engaged condition. The condenser has a potential difference between its two coatings equal to that across the cord circuit. The plug tip is connected to the positive side of the battery. When the tip of the plug is tapped against the bush of the jack (which is negative if line engaged), the condenser poten-

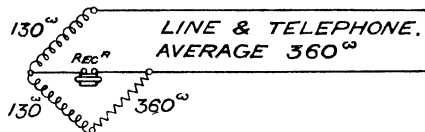


Fig. 4.

tial difference is varied. The ensuing current causes a click in the receiver, thus indicating to the operator that the line is engaged. No sound is heard in the receiver when a *disengaged* jack is tapped.

RINGING DISTRIBUTION.

Power ringing from the main exchange is generally available for a P.B.X. large enough to warrant a switchboard of this type. Hand generators, one per position, are fitted. Loose Leaf Diagram N.946 shows the arrangement. The generator switching key is fitted

(one per position) to bring the hand generator into use should the power ringing fail. The power ringing is wired direct from the main frame protective apparatus to the lamp (300 ω resistance) and terminal on the first position, thence to succeeding positions. A resistance lamp is fitted for each position. The lamp is in the "live" side of the ringing leads. The object of the lamps is to prevent the short-circuiting of the common ringing supply should an operator ring on a line which is short-circuiting or earthing.

Night Alarm.—The night alarm circuit is shown in Loose Leaf Diagram N.946. The power tags referred to in the diagram are on the various sections. They are wired to the local contacts of the extension eyeball signals and exchange line indicators. The 200 ω bridging coil reduces the voltage for the trembling bell and combined with the 2 m.f. condenser in parallel prevents disturbance on the power lead when the bell is ringing.

POWER DISTRIBUTION.

Special instructions are issued in connection with the grouping and arrangement of power leads. A.P.D. of not less than 16 volts is necessary at the Private Branch Exchange during the period of the busiest traffic.

The power leads are wired from the protectors to the bus bars of a fuse mounting fitted on the cable turning section at the

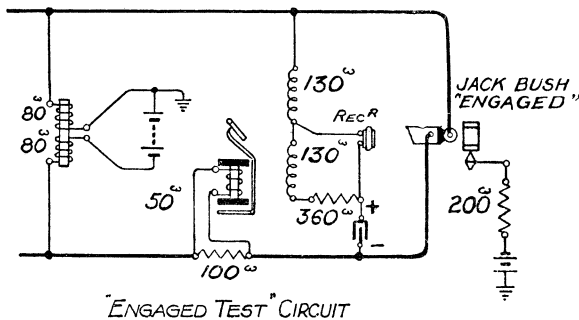


Fig. 5.

commencement of the switchboard. Additional fuse mountings are fitted on each section, and the positive and negative bus bars of each of these are cabled to the bus bars of the fuse mounting on the cable turning section. These cables are "looped in" to the

fuse mountings to prevent interruption to the remainder should one be disturbed for any reason. On the sections, the fuses are generally as follows:—

- 1 fuse per cord circuit.
- 1 ,, per section for extension equipment.
- 1 ,, per group of exchange line or tie line equipment.
- 1 ,, per operator's telephone.

A 10 m.f. condenser is fitted across the bus bars on the first fuse mounting. This condenser has a "smoothing" effect on the variations in the P.D. of the bus bars and so reduces the liability to cross-talk.

LONG EXTENSION EQUIPMENT.

Special provision is necessary for extensions having conductor resistances above certain values. Generally, the partial failure of calling and supervisory signals would occur in these cases. In addition, owing to the type of cord circuit, too great a difference in the resistance of any two circuits connected would result in the one of least resistance taking more than its share of the current from the cord circuit battery. This would rob the higher resistance circuit of current, resulting in poor speaking efficiency. The circuit to be used and the conditions in which it is necessary are shown in Loose Leaf Diagram N.938, Fig. 1. The unit shown is fitted on the special apparatus rack and is cabled or jumpered to the M.F. so as to interpose the apparatus in the line circuit. On the Private Branch Exchange side the ordinary extension equipment is used. Calling by the extension is as follows. The 1,000^Ω + 1,000^Ω relay is energised on receiver being lifted, *viz.*, negative 1,000^Ω winding of relay, winding 7-8 of repeating coil, B line, telephone, A line, winding 2-4 of repeating coil, thence *via* second winding of the 1,000^Ω + 1,000^Ω relay to earth. The relay contacts close, thereby "shunting" the 2 m.f. condenser by means of the 40^Ω spool. The eyeball circuit of the private branch exchange is now completed *via* the repeater coil winding 1-2, 40 spool, and repeater coil winding 5-6. On the extension "hanging up" a disconnection is given to the cord circuit by the relay armature falling back. The high resistance relay will actuate through any reasonable line resistance, and so far as the private branch exchange is concerned, the effect of a low resistance line is given.

The alternating generator current employed in calling the extension, rings through the repeating coil, with no effect on the 1,000^Ω + 1,000^Ω relay owing to the presence of the 4 m.f. condenser.

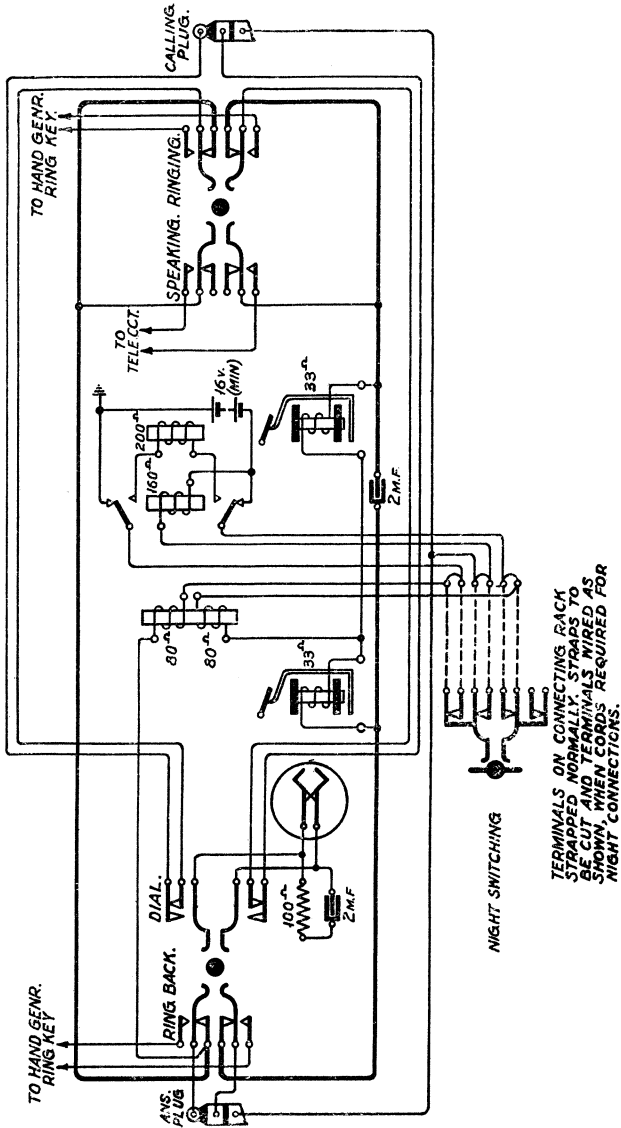
SWITCHBOARD B.E. C.B., MULTIPLE No.9.

CORD CIRCUIT.
CIRCUIT DIAGRAM.

WIRED FOR WORKING TO AUTOMATIC EXCHANGES.
FOR WIRING DIAGRAM SEE A.T.740.

N.1057.

A.T.785 B. 10-4-23.



UNIT, AUXILIARY APPARATUS N°18.
FOR LONG EXTENSIONS & LONG PRIVATE WIRES ON A.T. & C.B. BRANCH

EXCHANGE DOUBLE CORD SWITCHBOARDS.
EXPLANATORY DIAGRAM.

N.938^A
C.B. 962H
SUPERSEDES N.939 & N.940.

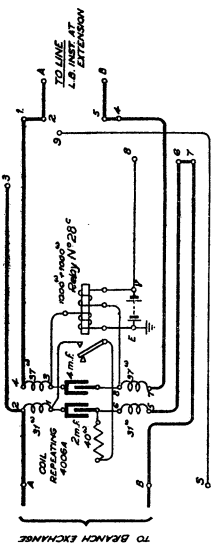


FIG. 1. AS ISSUED & USED FOR EXTENSIONS.

On switchboards with hand restored indicators.
 With Indicators N°600A in cord-circuits for clearing on extras over 50^m.
 With Indicators N°600B in cord-circuits for clearing on extras over 50^m.
 On switchboards with self restoring indicators.
 With Indicators N°600A in cord-circuits for clearing on extras over 100^m.
 With Indicators N°600B in cord-circuits for clearing on extras over 150^m.
N.B. Where the latter are used, in Extra Cts for clearing on extras over 150^m speaking see Fig. 3.

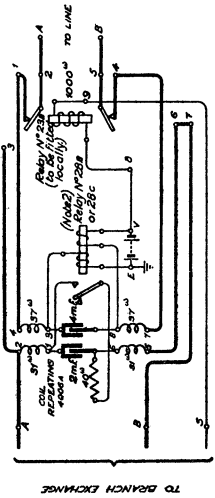


FIG. 2. As modified for PRIVATE WIRES exceeding the limits quoted in Fig. 1 switchboards with hand restored indicators to prevent intercommunication with main exchanges

GENERAL NOTES.

- 1 Relays 28^a and 28^b do not operate with ringing current under these conditions.
- 2 The 1000^a 1000^b relay supplied with the unit is to be replaced locally by a 100^a 100^b relay when transmission requirements permit the use of a C.B. telephone at the out station.
- 3 Figs. 2 & 3 are not applicable to switchboards with self restoring indicators.
- 4 The capacity between repeater terminals 1 & 6 cannot be increased beyond 2 m.f. without risk of prematurely tripping machine ringing at the main exchange on night connections.
- 5 If necessary to provide for efficient ringing through these units four-magnet generators will be provided at the P.B.X.
- 6 It is intimated that the unit be mounted vertically on a wall or other suitable support.
- 7 For termination of private wires on N°3, Multiple Switchboards see separate diagram.

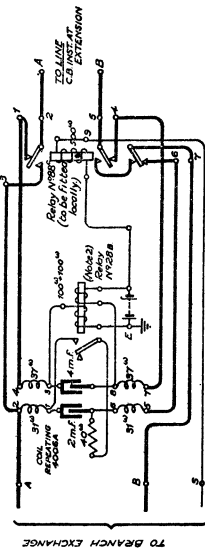
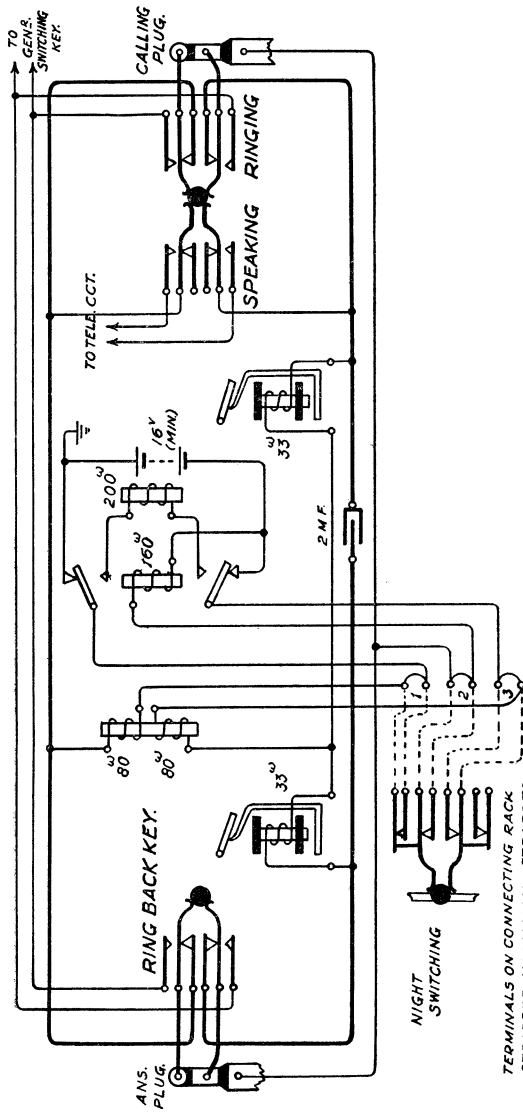


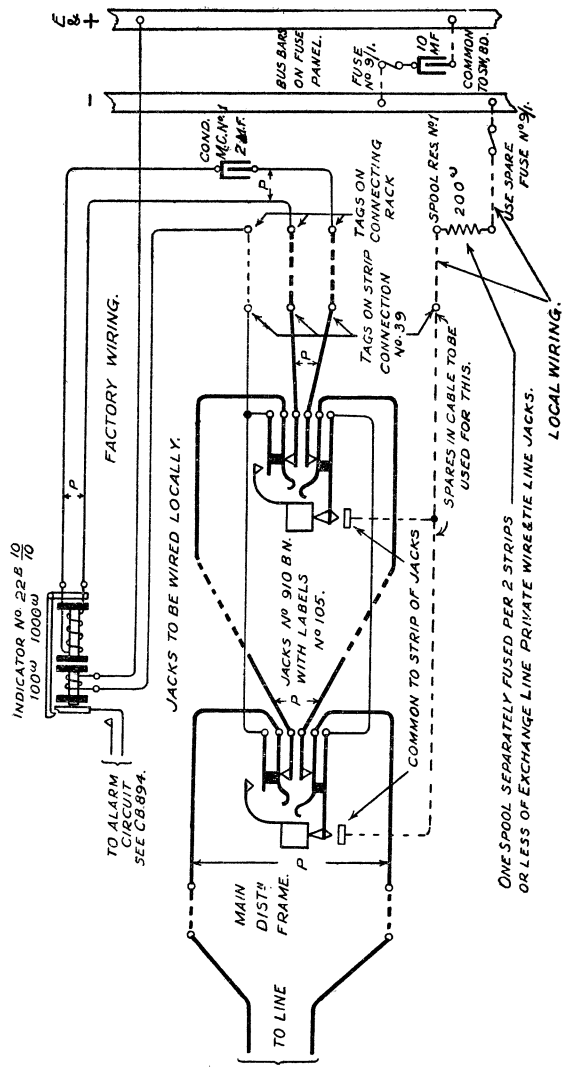
FIG. 3. As modified for EXTENSIONS on switchboards with hand restored indicators, to cut off long line equipment on exchange connections when transmission requirements permit the use of C.B. telephones in such conditions.

N. 941^A
C.B.1218. 26.11.19.

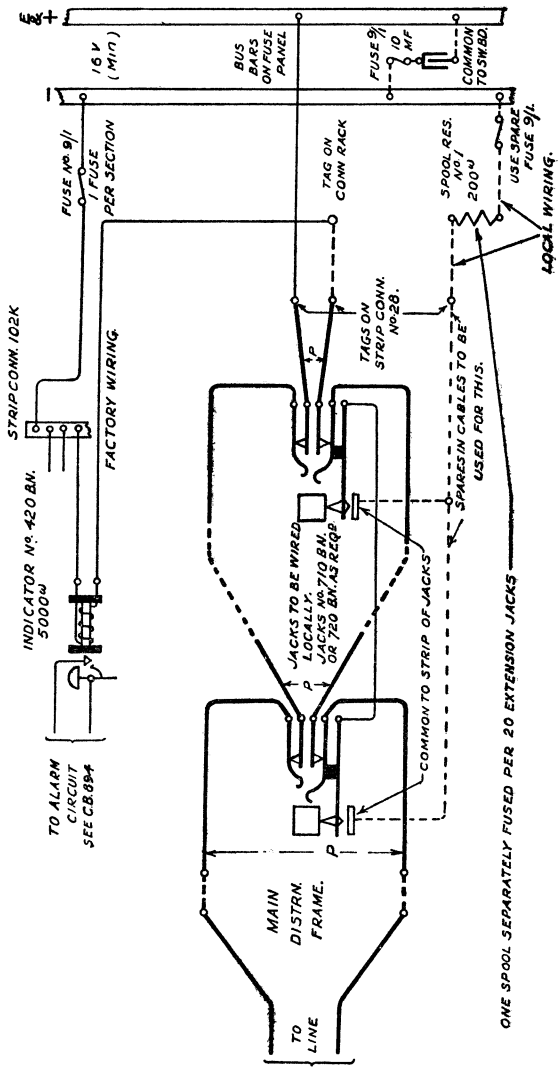


TERMINALS ON CONNECTING RACK
STRAPPED NORMALLY. STRAPS TO
BE CUT AND TERMINALS WIRED AS SHOWN,
WHEN CORDS REQUIRED FOR NIGHT
CONNECTIONS.

N. 942^A 22.11.19 C.B. 919^A



N. 943^B 24.11.19 C.B. 920^C



ONE SPOOL SEPARATELY FUSED PER 20 EXTENSION JACKS

N. 944 C.B. 1031. 19.11.19

FIG. 1. MAIN FRAME.

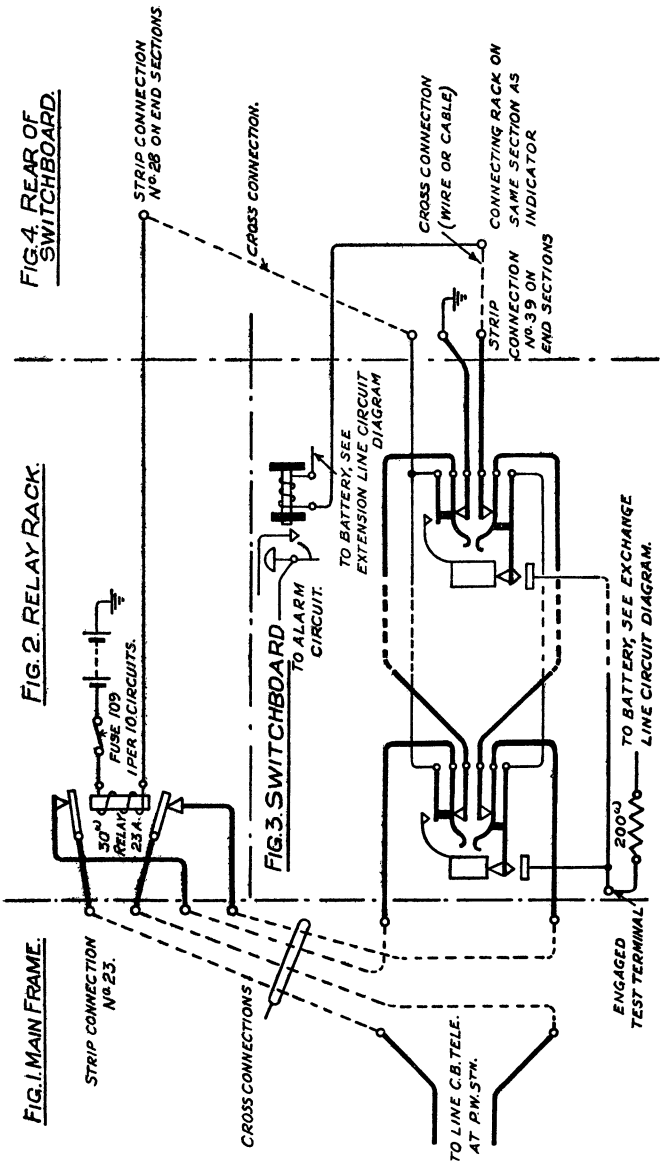


FIG. 2. RELAY RACK.

FIG. 4. REAR OF SWITCHBOARD.

FIG. 3. SWITCHBOARD

CROSS CONNECTIONS

TO LINE C.B. TELE.
AT P.W. STN.

ENGAGED TEST TERMINAL
TO BATTERY, SEE EXCHANGE
LINE CIRCUIT DIAGRAM.

STRIP CONNECTION
No. 28 ON END SECTIONS

CROSS CONNECTION.

CROSS CONNECTION
(WIRE OR CABLE)

CONNECTING RACK ON
SAME SECTION AS
INDICATOR

STRIP
CONNECTION
SAME SECTION AS
No. 39 ON
END SECTIONS

TO BATTERY, SEE
EXTENSION LINE CIRCUIT
DIAGRAM

TO ALARM
CIRCUIT.

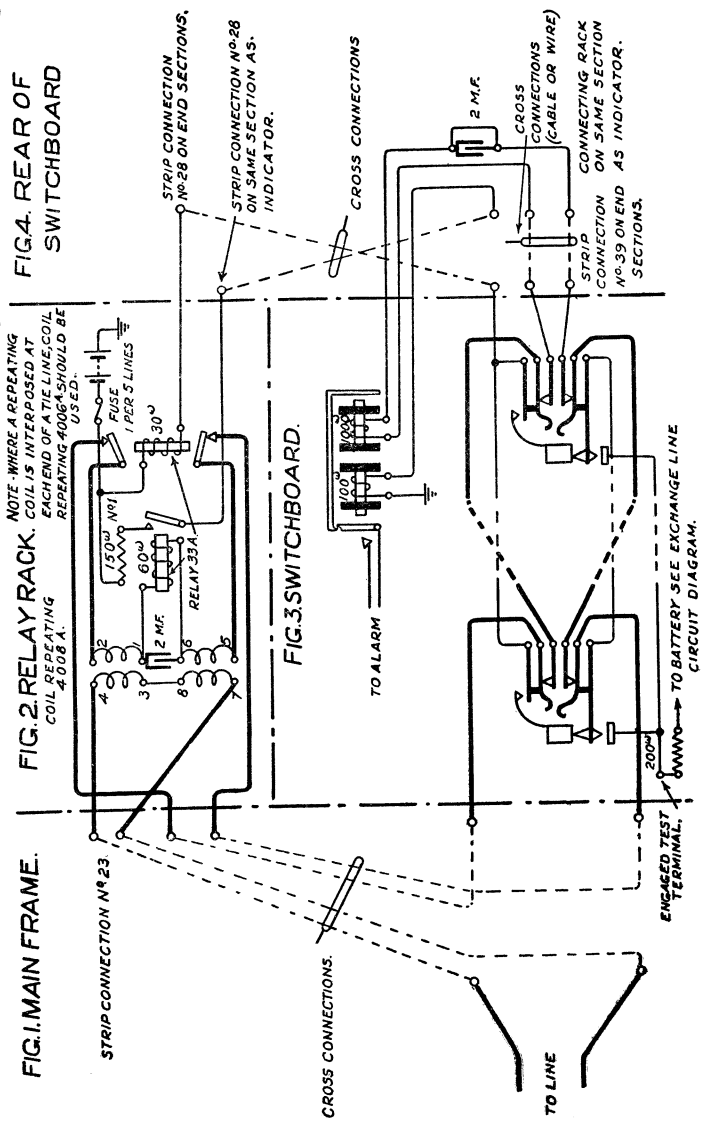
N. 945

C.B. 1030. 17.11.19

FIG. 1. MAIN FRAME.

FIG. 2. RELAY RACK. COILS INTERPOSED AT EACH END OF A TIE LINE. COIL REPEATING 4008 A.

FIG. 4. REAR OF SWITCHBOARD



SWITCHBOARD B.E. C.B.
MULTIPLE No. 9.

N 946E 24-9-14
 CB 894E

NIGHT ALARM CIRCUITS AND RINGING CIRCUITS.

FIG. 1. NIGHT ALARM CIRCUIT.
(TO BE FITTED LOCALLY.)

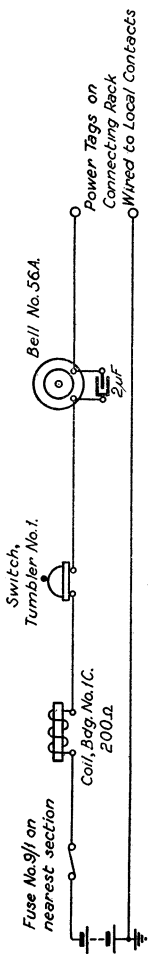
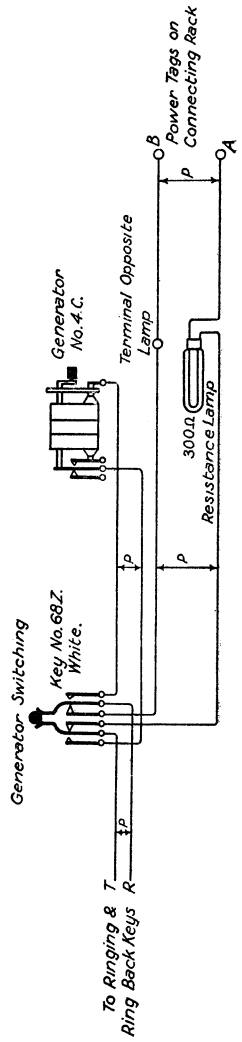
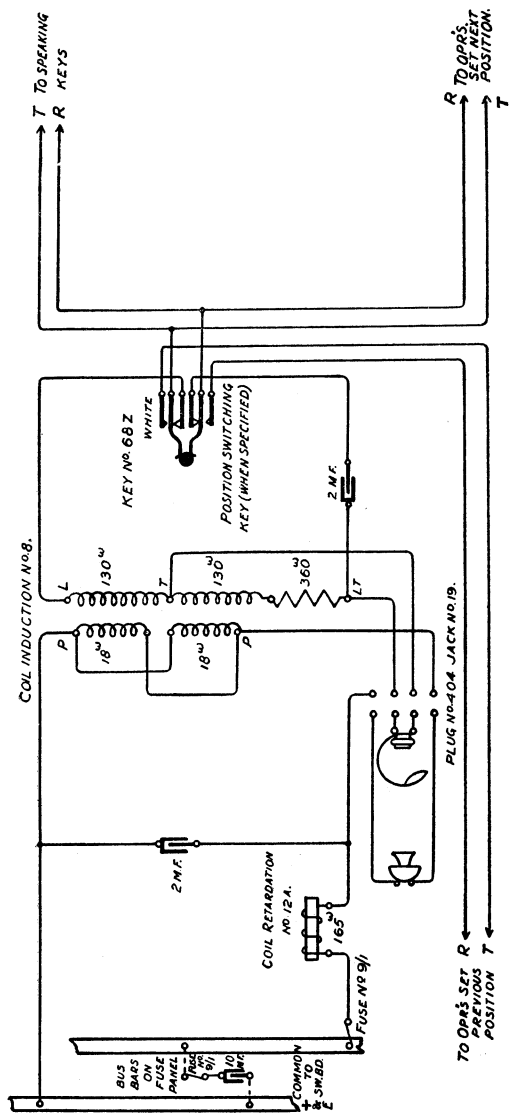


FIG. 2. RINGING CIRCUIT.



N. 947° 19.2.23
C.B. 918^F



(SHEET 1.)
N.948
C.B.1248. 20.11.23

FIG 3 CROSS CONNECTIONS ON MAIN FRAME.

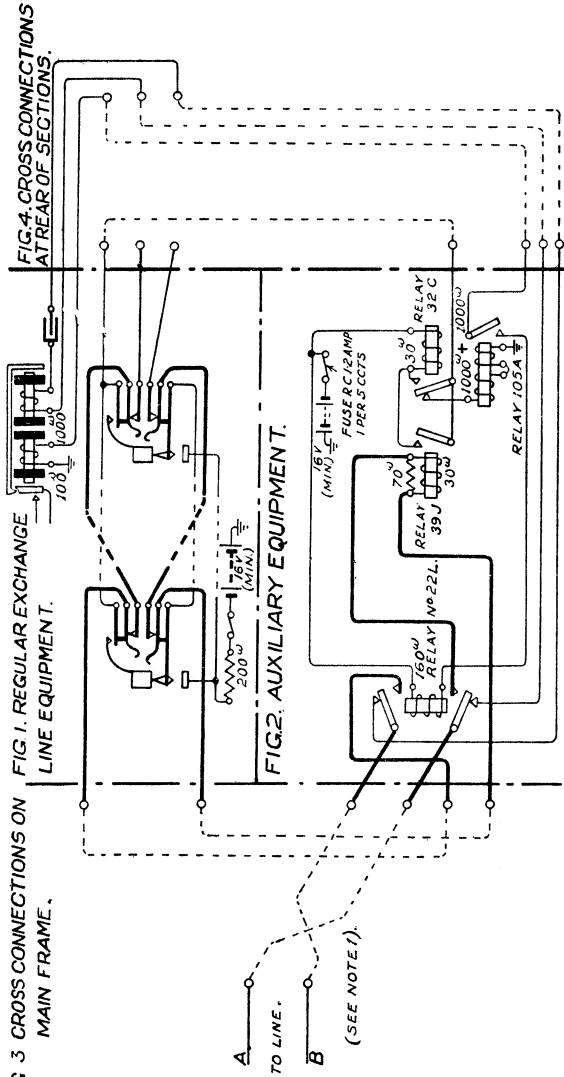


FIG.4. CROSS CONNECTIONS AT REAR OF SECTIONS.

FIG.1. REGULAR EXCHANGE LINE EQUIPMENT.

A TO LINE.
 B (SEE NOTE 1).

NOTE 1. REVERSAL TO BE MADE AT ONE END OF THE LINE ONLY, & IF NECESSARY SPOOLS RESISTANCE NO. 1 OF EQUAL VALUE TO BE INSERTED IN EACH LINE TO BRING RESISTANCE WITHIN THE LIMITS SPEC'D ON C.B.1250 (N° 949).

(SHEET 2.)
N. 948
C.B.1249^A 20.11.23.

FIG. 3. CROSS CONNECTIONS ON MAIN FRAME.

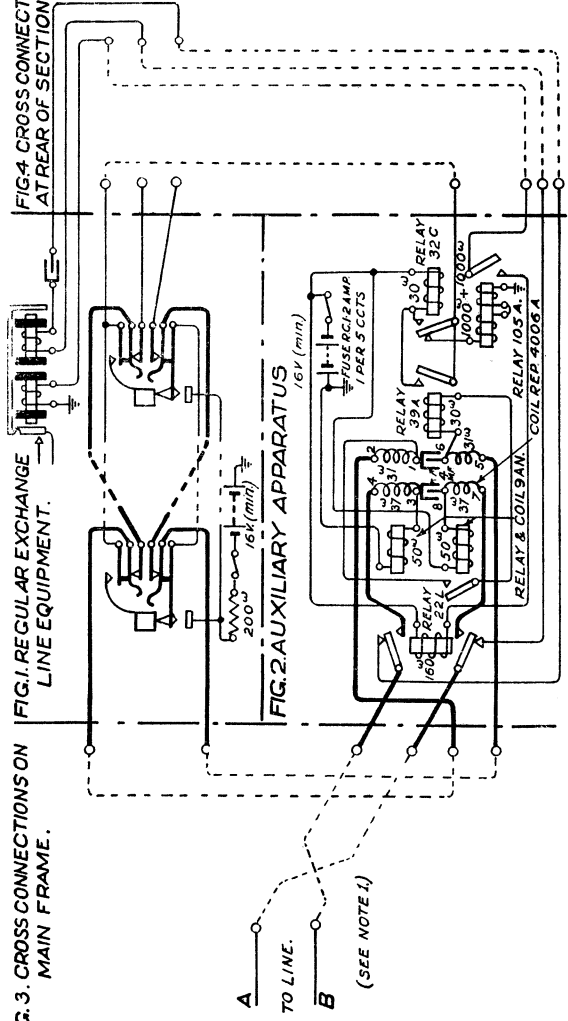


FIG. 4. CROSS CONNECTIONS AT REAR OF SECTIONS.

A
TO LINE.
B
(SEE NOTE 1.)

NOTE 1. REVERSAL TO BE MADE AT ONE END OF THE LINE ONLY.

N. 949^A
C.B.1250^B 30.11.23
SUPERSEDES FOR NEW WORK FIGS. 1 & 3 OF C.B. 1003
AND FIGS. 6 & 7 OF C.B. 1072.

FIG. 1. LONG LINES:- FOR WIRING SEE C.B.1249 (N.948).

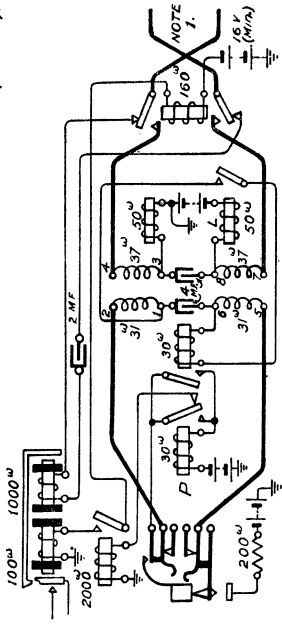
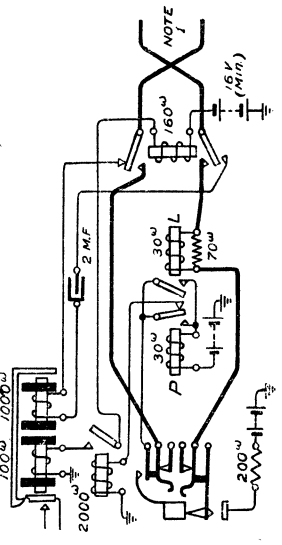


FIG. 2. SHORT LINES:- FOR WIRING SEE C.B.1248 (N.948)



==== **LIST OF** ====

Technical Pamphlets for Workmen

(Continued).

GROUP E.

1. Automatic Telephony. Step by Step Systems.
2. Automatic Telephony. Coder Call Indicator (C.C.I.) Working.
3. Automatic Telephony. Keysending "B" positions.

GROUP F.

1. Subscribers' Apparatus, C.B.
2. Subscribers' Apparatus, C.B.S., Part I—C.B.S. No. 1 System.
3. Subscribers' Apparatus, Magneto.
4. Private Branch Exchange—C.B.
5. Private Branch Exchange—C.B. Multiple, No. 9.
6. Private Branch Exchange—Magneto.
7. House Telephones.
8. Wiring of Subscribers' Premises.

GROUP G.

1. Secondary Cells, Maintenance of.
2. Power Plant for Telegraph and Telephone Purposes.
3. Maintenance of Power Plant for Telegraph and Telephone Purposes.
4. Telegraph Battery Power Distribution Boards.

GROUP H.

1. Open Line Construction, Part I.
2. Open Line Construction, Part II.
3. Open Line Maintenance.
4. Underground Construction, Part I.
5. Underground Construction, Part II.
6. Underground Maintenance.
7. Cable Balancing.
8. Power Circuit Guarding.
9. Electrolytic Action on Cable Sheaths etc.
10. Constants of Conductors used for Telegraph and Telephone Purposes.

GROUP I.

1. Submarine Cables.

GROUP K.

1. Electric Lighting
2. Lifts.
3. Heating Systems.
4. Pneumatic Tube Systems.
5. Gas and Petrol Engines.